

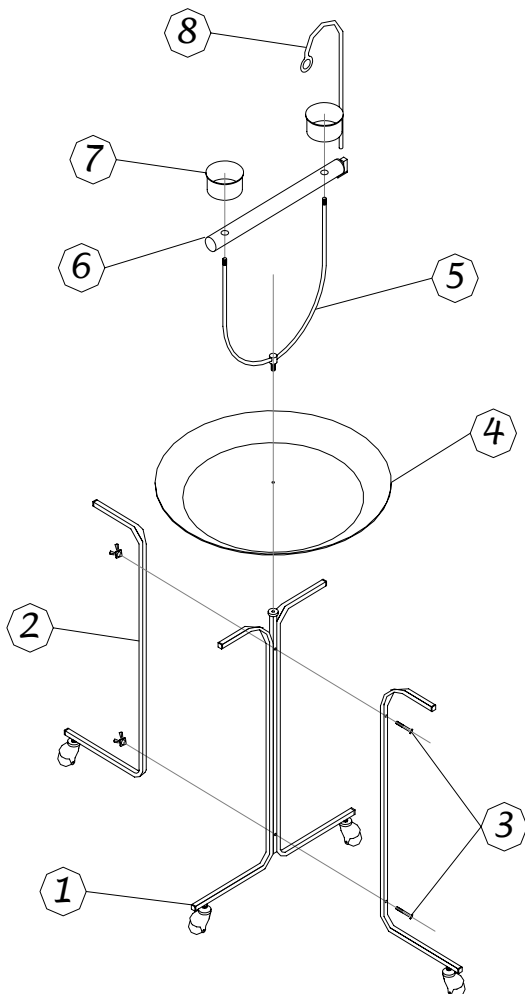


# Avian Adventures

## INSTRUCTIONS FOR ASSEMBLY OF PARROT PLAYSTAND

**Unwrap and remove all parts from the box. Keep the box and packing material until product is assembled. In case of return or exchange, failure to return product in similar condition as received could result in limited reimbursement. Check to insure that you have all of the following parts:**

- |                               |                      |
|-------------------------------|----------------------|
| 1) Fused Double Leg           | 5) U-frame           |
| 2) Two Single Legs            | 6) Perch             |
| 3) Pair of Screws w/Wing Nuts | 7) Two Screw-on Cups |
| 4) Tray                       | 8) Toy Hook/Holder   |



1. Take the fused DOUBLE LEGS and hold them up while simultaneously putting both of the two SINGLE LEGS on either side (as shown) perpendicular to the DOUBLE LEGS.
2. Line up the hole at the top of each SINGLE LEG to the hole at the top of the fused DOUBLE LEGS and insert one screw through all three parts. Tighten the legs together by screwing the wing nut onto the end of the screw until all three parts are held tightly together.
3. Repeat Step 2 with the holes near the bottom of each LEG part.
4. Line up the hole in the center of the TRAY with the center of the fused DOUBLE LEGS.
5. Take the U-FRAME/HARP and insert its attached screw through the hole in the center of the TRAY and into the female receptacle at the top/center of the fused DOUBLE LEGS. Turn the U-FRAME/HARP to the right until it has been tightened sufficiently and does not wobble.
6. Take the PERCH and insert it so that the U-FRAME/HARP ends fit through the holes in the perch.
7. Take each CUP and screw the bottom of each cup into the ends of each U-FRAME/HARP.
8. Attach the TOY HOOK/HOLDER into the sleeve on the end of the perch.